


Aluminum Enclosed Motor Disconnect Switch

- UL Type 4
- Excellent in harsh weather conditions
- UV resistant
- Resistant to many chemicals
- IP66 Protection Level
- Lockable and Defeatable Handle



 Padlocks All Models are lockable with up to 3 padlocks.

NEW

Catalog Number

Black Handle	KEA316UL	KEA325UL	KEA340UL	KEA360UL
Yellow/Red Handle	KEA316UL Y/R	KEA325UL Y/R	KEA340UL Y/R	KEA360UL Y/R
No. of Poles	3 (4 pole - KEA416UL (Y/R))	3 (4 pole - KEA425UL (Y/R))	3 (4 pole - KEA440UL (Y/R))	3 (4 pole - KEA460UL (Y/R))
General Purpose Current	16 A	25 A	40 A	60 A
Maximum Voltage	600V AC	600V AC	600V AC	600V AC
Motor FLA @ 480V AC	14 A	21 A	27A	34A
Motor FLA @ 600V AC	9A	11A	17A	27A

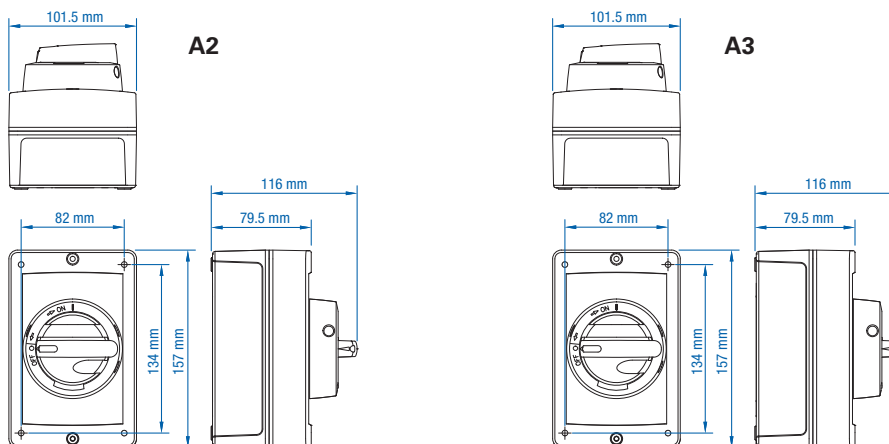
Horsepower Rating/HP	1 Phase		3 Phase		1 Phase		3 Phase		1 Phase		3 Phase	
	110-120V AC	1	2	1.5	3	2	3	3	5	3	5	10
200V AC	1.5	3	2	5	3	7.5	5	10	5	10	25	
208V AC	1.5	3	2	5	3	7.5	5	10	5	10	25	
220-240V AC	2	3	3	5	5	7.5	7.5	10	7.5	10	25	
265V AC	-	5	-	7.5	-	10	-	10	-	10	25	
277V AC	-	5	-	7.5	-	10	-	10	-	10	25	
380-415V AC	-	7.5	-	10	-	15	-	20	-	25	63	
440-480V AC	-	10	-	15	-	20	-	25	-	32	80	
550-600V AC	-	7.5	-	10	-	15	-	20	-	25	63	

Short Circuit Withstand Rating at 600 V with Max. Fuse Size/Class:	10 kA		10 kA		10 kA		10 kA	
	K5	30 A	30 A	30 A	30 A	30 A	30 A	30 A
RK5	30 A	30 A	30 A	30 A	30 A	30 A	30 A	
RK1	60 A	60 A	60 A	60 A	60 A	60 A	60 A	
J	80 A	80 A	80 A	80 A	80 A	80 A	100 A	

Terminal Size Acceptability (Cu Conductors only, 75 °C)	14-8 AWG	14-8 AWG	14-8 AWG	12-4 AWG
Terminal Torque	16 lb. in. (1.8 Nm)	16 lb. in. (1.8 Nm)	16 lb. in. (1.8 Nm)	16 lb. in. (1.8 Nm)
Screw Head Type	No. 2 Pozidrive	No. 2 Pozidrive	No. 2 Pozidrive	No. 2 Pozidrive
Environmental Rating	UL Type 4	UL Type 4	UL Type 4	UL Type 4
Enclosure Type Used	A2	A2	A2	A3

Dimensions

(to convert to inches multiply by 0.03937)



Enclosure Cover Screw Installation (Additional Information)		
Enclosure	Screw Type	Torque
A2	Pz2	17.7 lb. in. (2 Nm)
A3	Pz2	17.7 lb. in. (2 Nm)

Weight	0.8 kg (1.76 lb.)	0.8 kg (1.76 lb.)	0.8 kg (1.76 lb.)	2.0 kg (4.41 lb.)
--------	-------------------	-------------------	-------------------	-------------------

Suitable Accessories

Auxiliary Contacts	KU1.V, KU2.V	KU1.V, KU2.V	KU1.V, KU2.V	KU1.V, KU2.V
--------------------	--------------	--------------	--------------	--------------